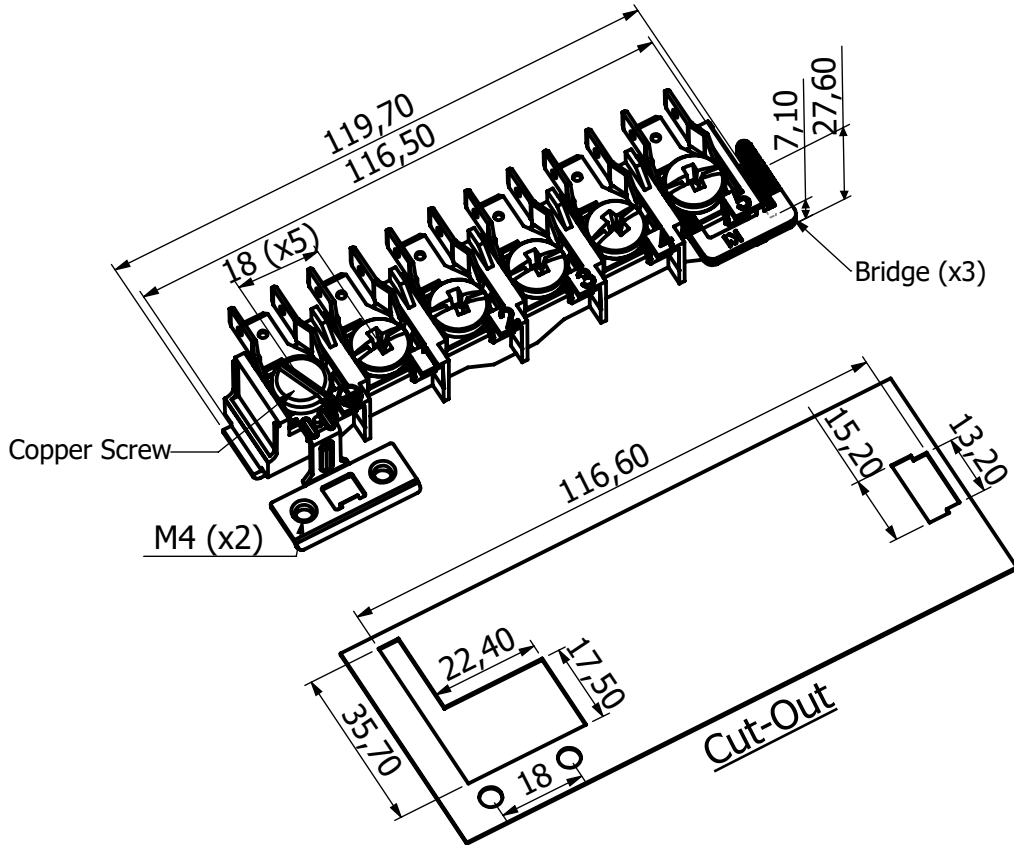


KL300

Item Code: 07001901



All dimensions in "mm"

Specifications	EN Standards
Nominal Voltage	AC 450V
Nominal Current	57A
Operating Temperature	T150
Number of Poles	5P+E
Rated Connecting Capacity	1,5-10 mm ²
Degree of Protection	IP00
Components	Material
Body	PA 66-GF25%-V0-GWT 750°C, Brown
Terminals	6,3x0,8 mm male tabs acc. to EN 61210 Steel, Zn Plated, Cr ³ passivated
Screws	M6x10, Steel, Zn Plated, Cr ³ passivated
Bridges	Copper, t:0,80mm
Approvals	Standards
VDE	DIN EN 60998-1:2005-03; EN60998-1:2004 DIN EN 60998-2-1:2005-03; EN 60998-2-1:2004 DIN EN 61210:2011-06; EN 61210: 2010